

TH-20

Temperature-Humidity Sensor
Digital Switch Output (NO)

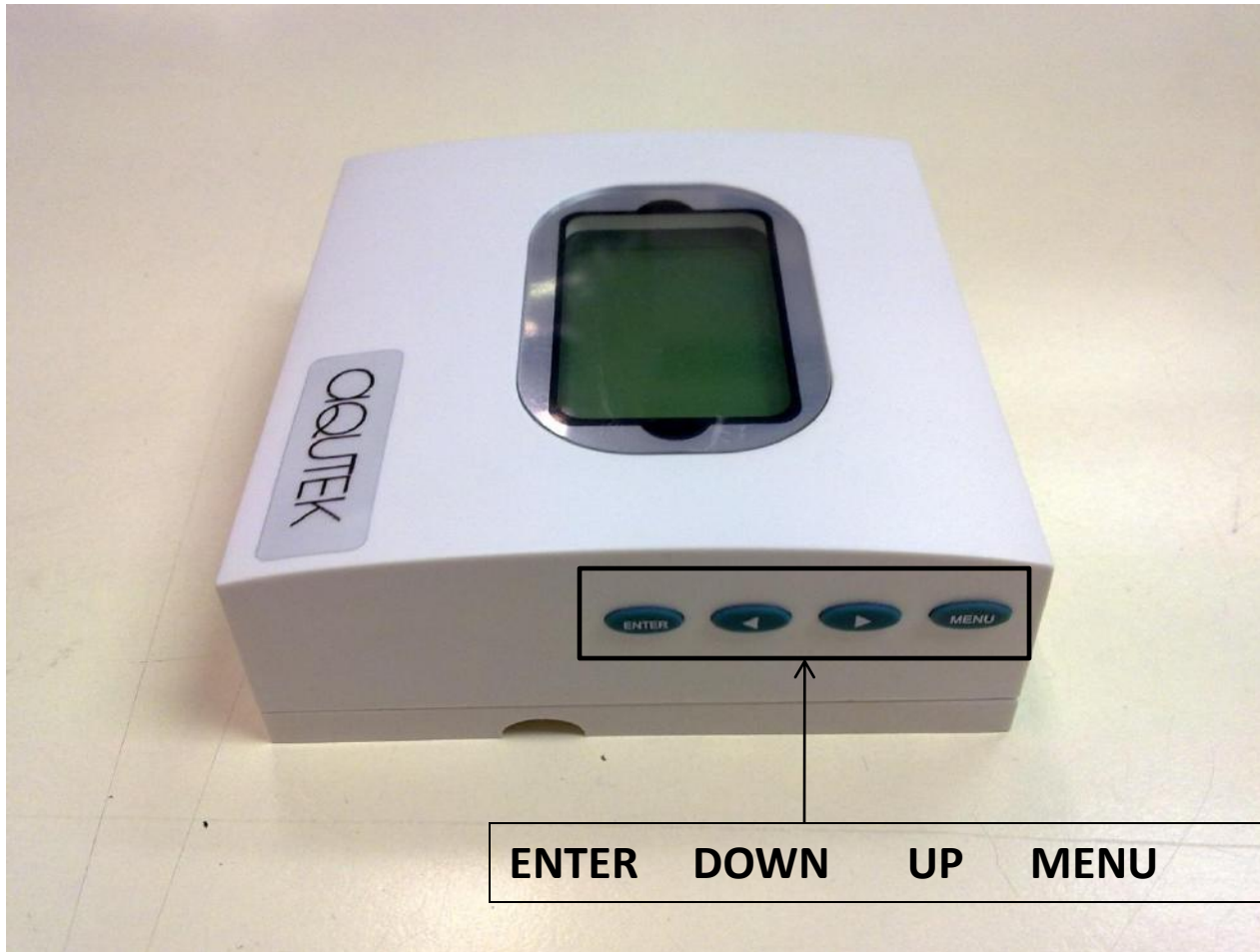
TH-20

Top view



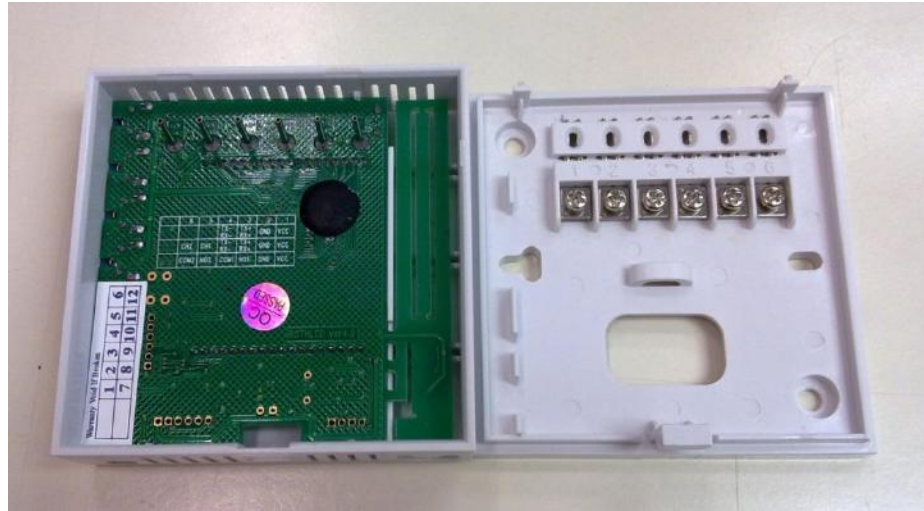
TH-20

Side view



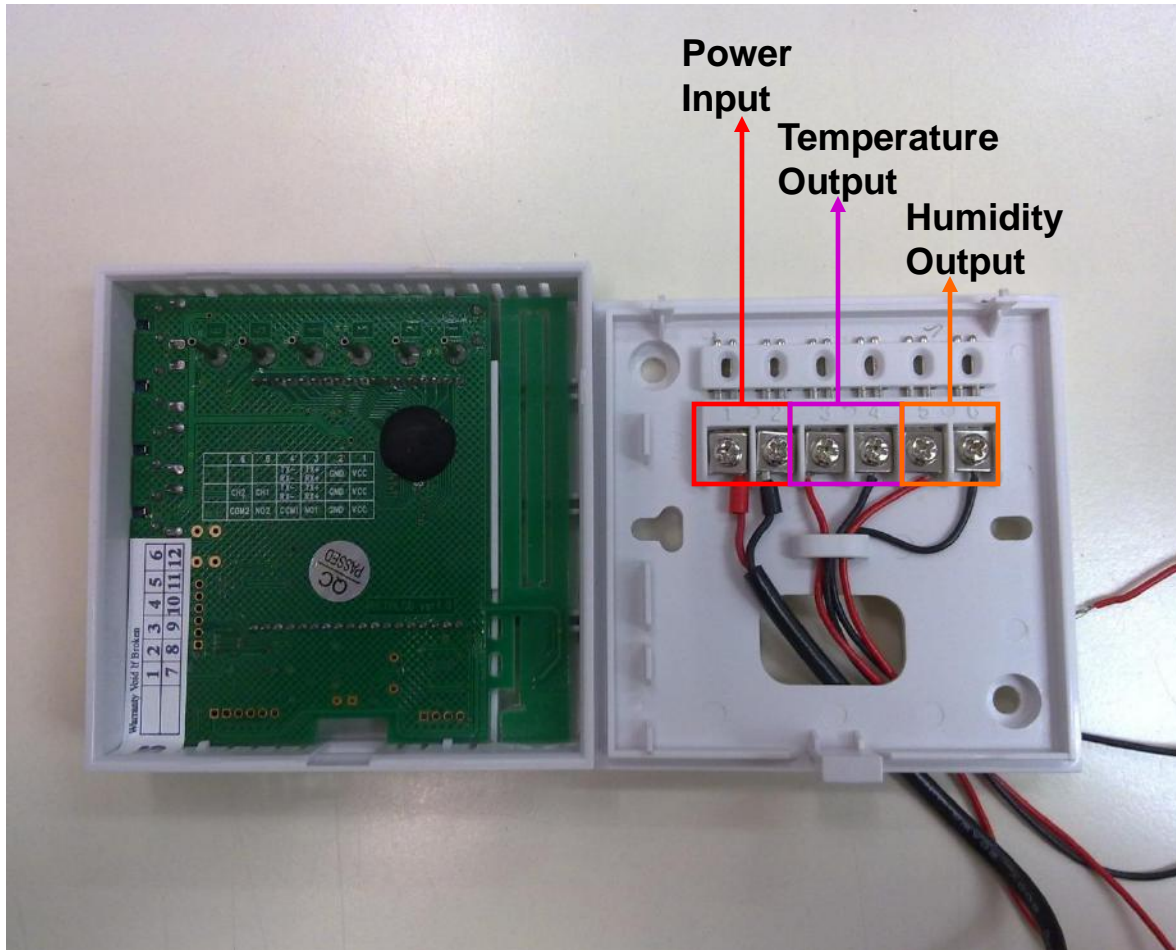
TH-20

Specification



Power	12VDC
Measuring range	Temperature: -20 to 70 °C Humidity: 0 to 100%RH
Accuracy	Temperature: +/- 0.5 °C Humidity: +/- 3%RH
Output	Dry contact mode: Normally Open

TH-20 Connection



Power Input

- 1 → VCC +12V DC
- 2 → GND

Temperature Output

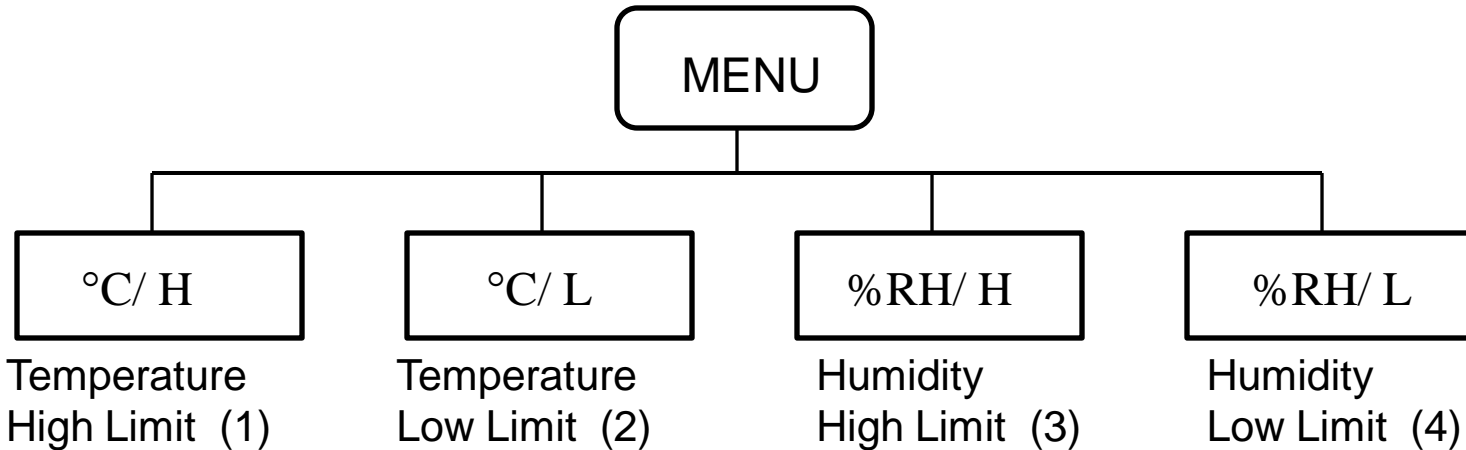
- 3 → Temperature NO
- 4 → Temperature COM

Humidity Output

- 5 → Humidity NO
- 6 → Humidity COM

TH-20 Setting

- Press MENU button



- Use UP button to choose among above items

TH-20

(1) Setting High Limit for Temperature

- Press MENU button to enter the menu
- Use UP button to choose Temperature High Limit Setting



- Press ENTER to select the item



- Use UP/DOWN to increase/decrease the value
- Press ENTER to confirm the value
- Press MENU to back to main menu

TH-20

(2) Setting Low Limit for Temperature

- Press MENU button to enter the menu
- Use UP button to choose Temperature Low Limit Setting



- Press ENTER to select the item



- Use UP/DOWN to increase/decrease the value
- Press ENTER to confirm the value
- Press MENU to back to main menu

TH-20

(3) Setting High Limit for Humidity

- Press MENU button to enter the menu
- Use UP to choose Humidity High Limit Setting



- Press ENTER to select the item



- Use UP/DOWN to increase/decrease the value
- Press ENTER to confirm the value
- Press MENU to back to main menu

TH-20

(4) Setting Low Limit for Humidity

- Press MENU button to enter the menu
- Use UP to choose Humidity Low Limit Setting



- Press ENTER to select the item



- Use UP/DOWN to increase/decrease the value
- Press ENTER to confirm the value
- Press MENU to back to main menu

TH-20

Alarm status

- When an alarm is triggered
 - A bell icon will appear and flash on the top left corner of LCD screen.
 - The corresponding item will flash.
 - H/L letter will appear and flash at the bottom of LCD screen.



Example

The high temperature limit is 28°C.
Now, the room temperature is 29°C.
A high temperature alarm is triggered.
The LCD screen shows a bell icon and “H”.
The bell, “H” and the temperature are flashing.